

DTS Side Mount Control Installation

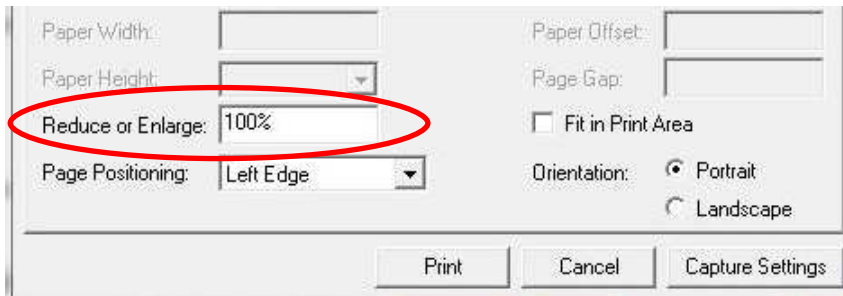
Model Number: SMDTS5068, SMDTSS5068

PLEASE NOTE:

NEW OEM / Dealer Installation:

Utilize the template provided on page 5 for appropriate control cut out pattern.

When printing the template, make sure your print settings do not resize the document.

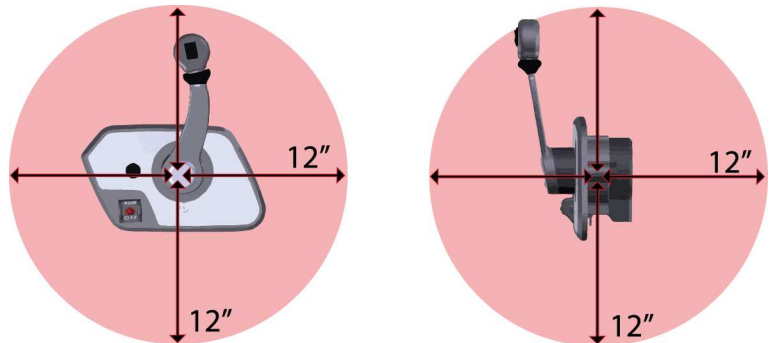


Repower / Replacement:

Please note that installation of the Livorsi control may require modification of the existing control cut out pattern in your application. In some instances, an additional plate may need to be made to cover the old cutout to allow proper mounting of the new Livorsi control. Livorsi is not responsible for these modifications.

Magnetic interference:

No speakers or magnetic sources within 12 inches of control.



Detent and Friction Adjustments:

It is not recommended to make changes to the factory settings, although if adjustments are made, place the lever in Wide Open Throttle prior to any adjustments. Adjust in 1/4 turn increments.



Forward/Reverse Detent

Throttle Friction

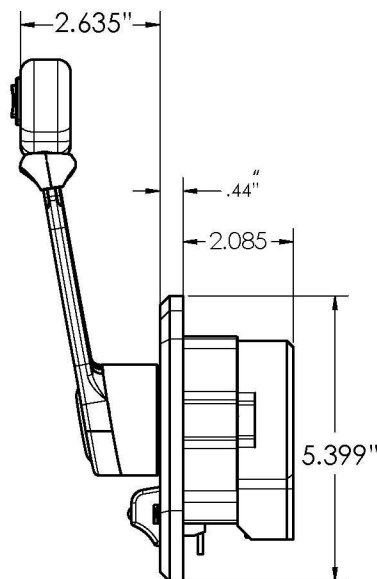
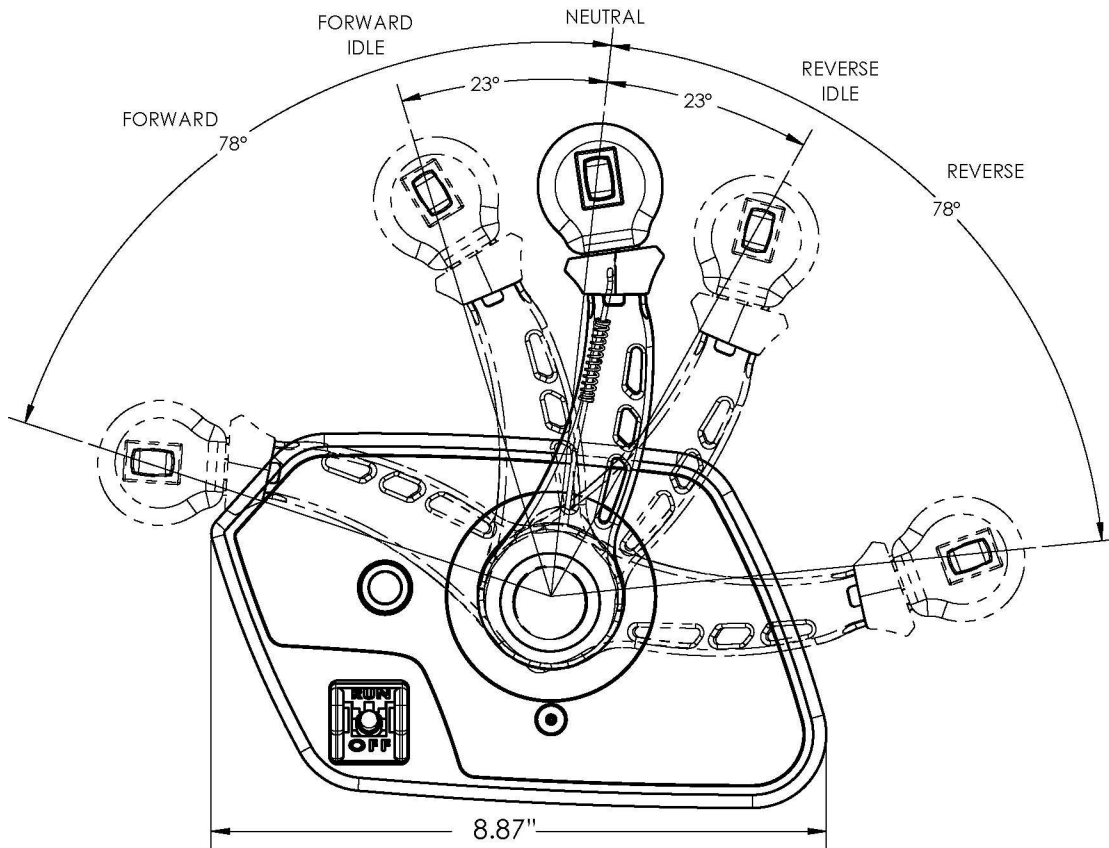
Harness Connections:

Make connections to the engine harnesses.
When properly connected, you will hear a “click” indicating a good connection.
Double check connection by gently tugging at the connectors.



Overall Dimensions

Model Number: SMDTS5068, SMDTSS5068



SMDTSS5068

Cutout and Drill Template

← FRONT OF BOAT SCALE 1:1 Model Number: SMDTSS5068, SMDTSS5068

